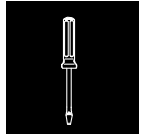
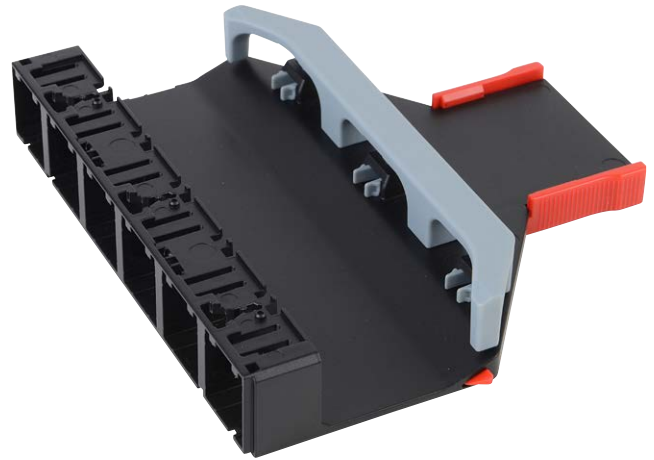


Installationsanleitung Netscale 48 CU Kasette

Installation guide Netscale 48 CU Cassette



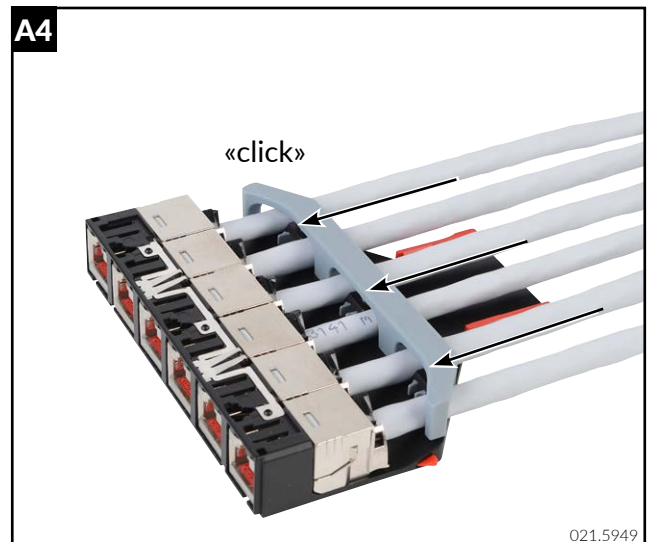
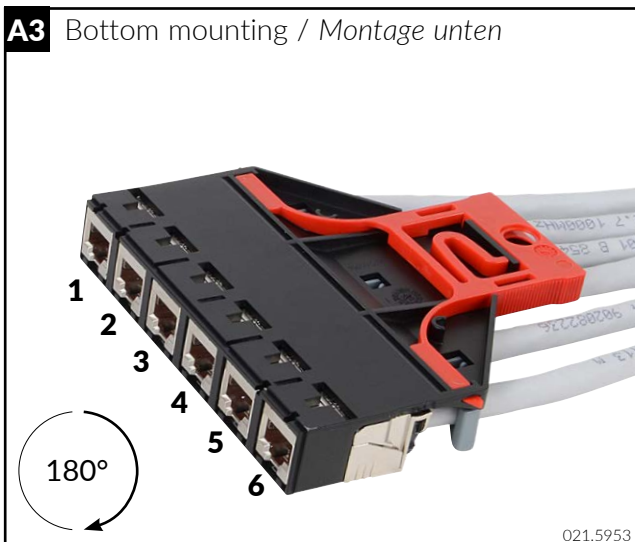
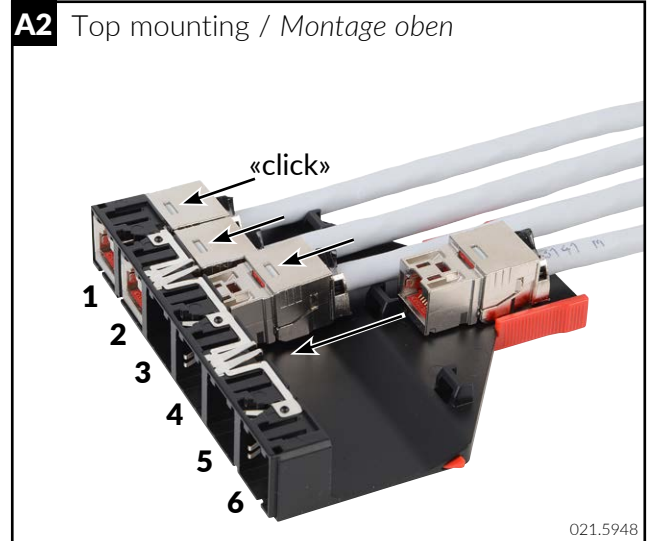
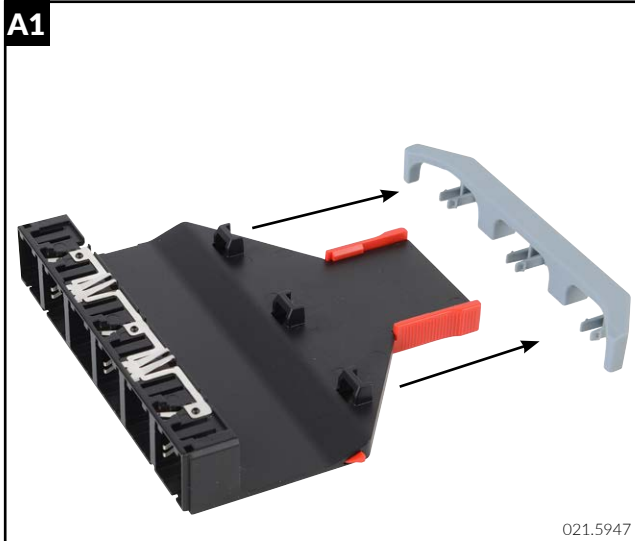
Shielded (S) / Geschirmt (S)



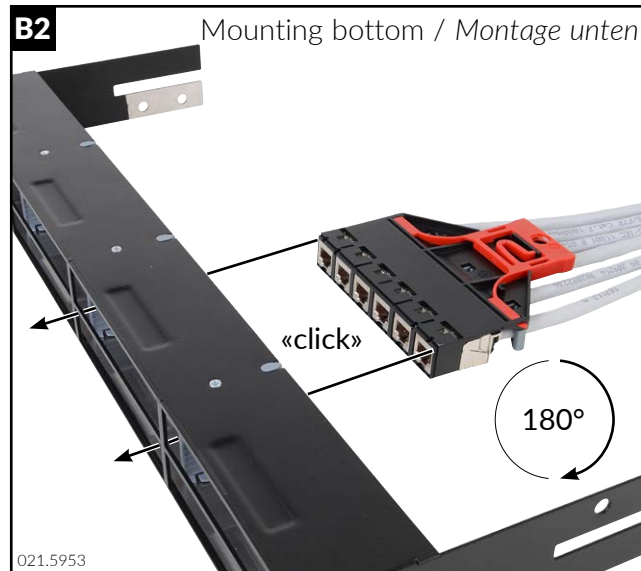
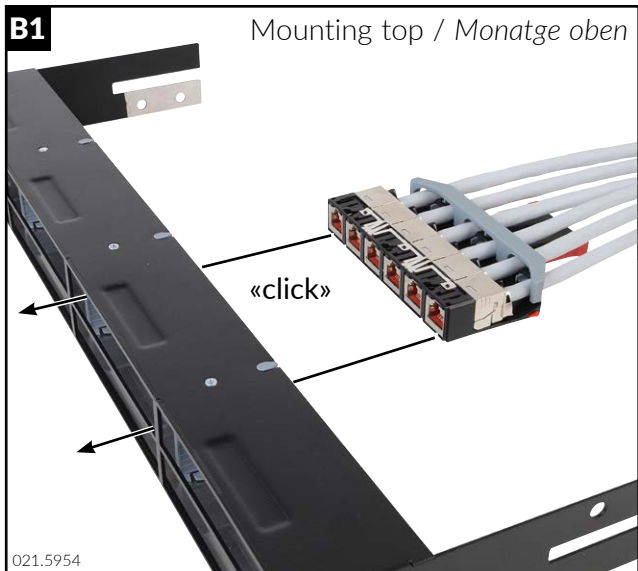
Unshielded (U) / Ungeschirmt (U)

021.5945 / 021.5946

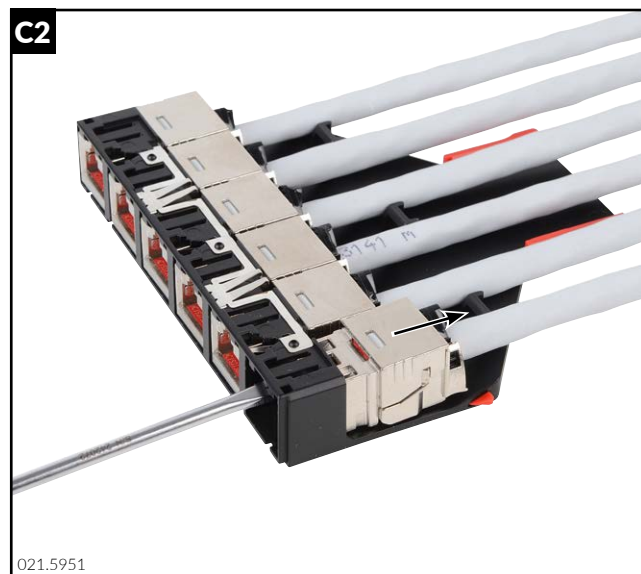
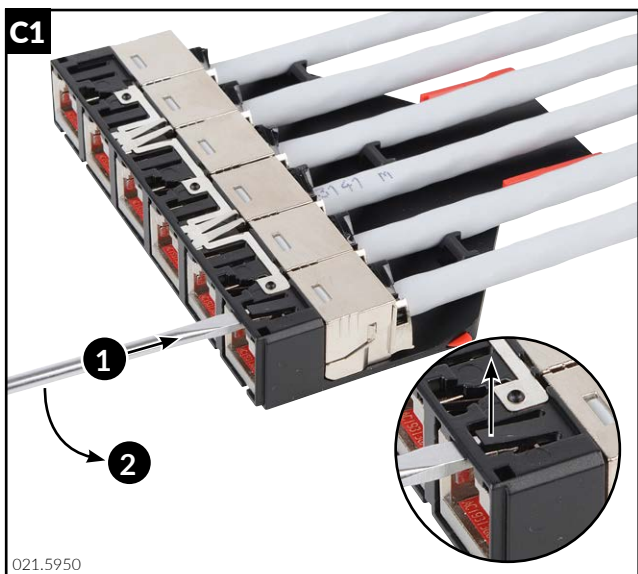
A - Cassette preparation / Kasette vorbereiten



B – Mounting in Panel / Montage im Rangierfeld



C – Removing module / Modul entfernen



D – Remove / Entfernen



Headquarters

Switzerland

Reichle & De-Massari AG
 Binzstrasse 32
 CHE-8620 Wetzikon
 Telephone HQ +41 (0)44 933 81 11
 Telefax HQ +41 (0)44 930 49 41
 E-Mail hq@rdm.com

www.rdm.com

R&M

Please note:

This guide shows the best practices for installation **ONLY**. R&M expressly disclaims all liability for any damage to material, equipment, and for any injury or death. Legal health and safety regulations should have priority over best practices as shown in this guide. R&M does not guarantee this guide to be free of errors. Products included may vary from products shown. Please exercise caution.